

MV-IDH2000B/CBASE

Smart Base of Wireless Handheld Code Reader



Introduction

MV-IDH2000B/CBASE smart base is used to charge and provide data communication for the wireless handheld code reader.

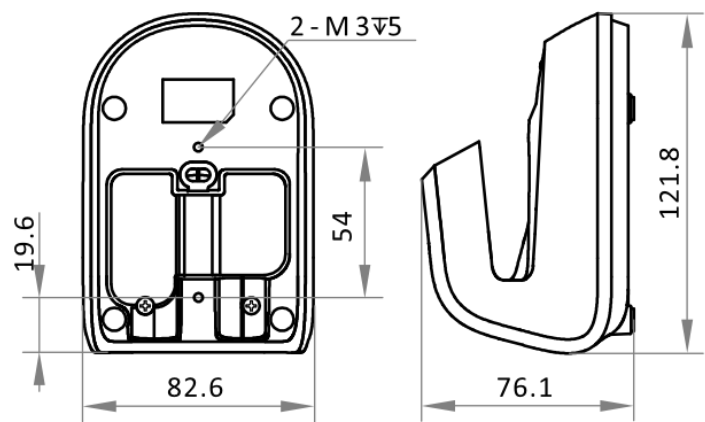
Key Feature

- Built-in code reading algorithm for decoding different types of 1D codes and 2D codes.
- Provides good robustness to read codes with spots, defects and low contrast ratio.
- Supports continuous code reading, batch code reading for improving code reading efficiency.
- Supports wireless communication via Bluetooth.
- Adopts 2700 mAh battery with long standby time.
- IP40 and drop height of 1.8 m.

Available Model

MV-IDH2000B/CBASE/U

Dimension



Unit: mm

Specification

HIKROBOT

Model	MV-IDH2000B/CBASE
Electrical feature	
Data interface	USB 2.0 (Type B), USB 2.0 (Type A)
Power supply	5 VDC
Current consumption	1.5 A (max.), 0.01 A (during standby)
Mechanical	
Dimension	82.6 mm × 121.8 mm × 76.1 mm (3.3" × 4.8" × 3.0")
Weight	Approx. 120 g (0.3 lb.)
Ingress protection	IP40
Temperature	Working temperature: -10 °C to 50 °C (14 °F to 122 °F) Storage temperature: -20 °C to 60 °C (-4 °F to 140 °F)
Humidity	5% RH to 95% RH (no condensation)