

MV-IDH2000PB

Wireless Handheld Code Reader



Introduction

MV-IDH2000PB wireless handheld code reader decodes different types of 1D and 2D codes rapidly. With the built-in intelligent code reading algorithm, it can easily decoding codes with spots, defects and low contrast ratio, and entry level DPM codes. It also supports switching to white light, red light, or blue light, and supports polling of two-color or three-color light source, providing greater scene adaptability and enhanced code reading performance. With adaptive charging bases, the code reader can realize charging and data communication.

Available Model

- Near distance, handheld code reader only: MV-IDH2000PB/13NR/05RN
- Near distance, with USB charging base set: MV-IDH2000PB/13NR/05RN/UC
- Standard distance, handheld code reader only: MV-IDH2000PB/13SR/05RN
- Standard distance, with USB charging base set: MV-IDH2000PB/13SR/05RN/UC

Accessories

Charging base: MV-IDH2000B/CBASE/U

Applicable Industry

Intelligent manufacturing, retail, logistics, medical treatment, enterprise and public institutions, etc.

Key Feature

- Built-in code reading algorithm for decoding different types of 1D codes and 2D codes.
- Provides good robustness to read codes with spots, defects and low contrast ratio.
- Supports switching to white light, red light, or blue light, and supports polling of two-color or three-color light source, providing greater scene adaptability and enhanced code reading performance.
- Adopts Bluetooth 5.0 wireless technology, and supports stable connection with max. transmission distance of 80 meters in open areas for more efficient operation.
- Adopts 2700 mAh battery with long standby time.
- IP42 and drop height of 1.8 m (50 times).

Specification

Model	MV-IDH2000PB/13NR/05RN(UC)	MV-IDH2000PB/13SR/05RN(UC)
Performance		
Symbologies	1D codes: Code 39, Code 93, Code 128, CodaBar, EAN 8, EAN 13, ISBN, ISSN, ITF 25, ITF 14, UPCA, UPCE	
	2D codes: QR Code, Data Matrix, MicroQR, Aztec, Han Xin	
	Stacked code: PDF417	
	GSI code: GS1-128, GS1-QR, GS1-Data Matrix	
Min. accuracy	1D codes: 3 mil 2D codes: 4 mil	1D codes: 3 mil 2D codes: 5 mil
Sensor type	CMOS	
Resolution	1280 × 1024	
Depth of field*	Code 128 (3 mil): 30 mm to 105 mm Code 128 (10 mil): 20 mm to 200 mm Data Matrix (5 mil): 40 mm to 80 mm QR Code (10 mil): 20 mm to 135 mm QR Code (20 mil): 20 mm to 195 mm	Code 128 (3 mil): 70 mm to 155 mm Code 128 (10 mil): 30 mm to 430 mm QR Code (10 mil): 45 mm to 230 mm QR Code (15 mil): 20 mm to 350 mm QR Code (20 mil): 20 mm to 450 mm
Field of view	Horizontal 39°, vertical 29°	
Detection angle	Tilt angle ± 65°, skew angle ± 65°, rotation angle 360°	
Symbol contrast	20%	
Wireless communication		
Communication mode	Bluetooth wireless module, supports Bluetooth BT 5.1, BLE	
Wireless range	80 m (open range)	
Communication protocol	SmartSDK, Bluetooth, USB (HID/CDC)	
Electrical feature		
Data interface	USB 2.0 (Type B)	
Battery	2700 mAh	
Charging time	6 h	
Endurance	10 h (interval scanning, once in 2 seconds)	
Power supply	5 VDC	
Current consumption	1.5 A (max.), 0.14 A (during standby)	
Mechanical		
Ambient illumination	0 lux to 100000 lux	
Light source	White LED, red LED, blue LED, and supports polling of two-color or three-color light source.	
Aiming system	Cross laser aiming	
Prompt	LED indicator, buzzer, vibrator	
Dimension	66.5 mm × 96.9 mm × 170.2 mm (2.6" × 3.8" × 6.7")	
Weight	Approx. 160 g (0.4 lb.)	
Ingress protection	IP42	
Temperature	Working temperature: -10 °C to 50 °C (14 °F to 122 °F) Storage temperature: -20 °C to 60 °C (-4 °F to 140 °F) Charging temperature: 0 °C to 40 °C (32 °F to 104 °F)	
Humidity	5% RH to 95% RH (no condensation)	
Drop height	1.8 m, 50 times	
General		
Client software	IDMVS	
Certification	CE, KC	

*Test condition: Environment temperature=25 °C (77 °F), ambient illumination=250 lux filament lamp, Hikrobot's test symbologies are used.

Specification

Laser Information of IDH 2000PB Series Product

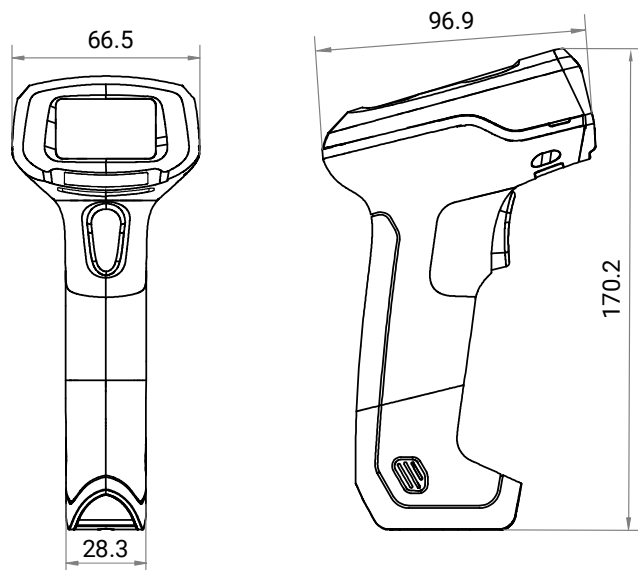
Laser safety class	Laser 1
Wavelength	650 nm
Pulse width	8 ms
Maximum power	0.39 mW

Specification (Charging Base)

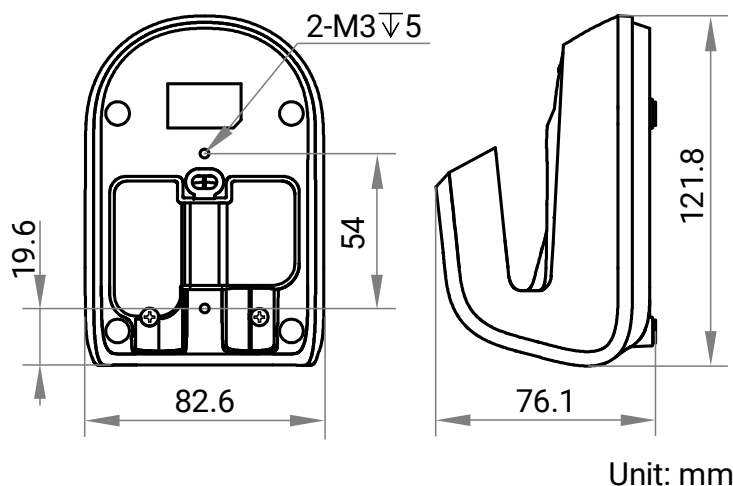
Model	MV-IDH2000B/CBASE/U
Electrical feature	
Data interface	USB 2.0 (Type B), USB 2.0 (Type A)
Power supply	5 VDC
Current consumption	1.5 A (max.), 0.01 A (during standby)
Mechanical	
Dimension	82.6 mm × 121.8 mm × 76.1 mm (3.3" × 4.8" × 3.0")
Weight	Approx. 120 g (0.3 lb.)
Ingress protection	IP40
Temperature	Working temperature: -10 °C to 50 °C (14 °F to 122 °F) Storage temperature: -20 °C to 60 °C (-4 °F to 140 °F)
Humidity	5% RH to 95% RH (no condensation)

Dimension

Code reader:



Charging base:



Unit: mm

Unit: mm